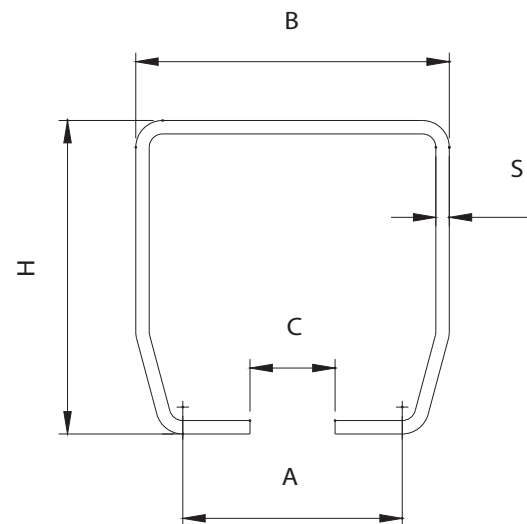





Art. **CGS-345M**

Art. **CGS-345P**

Art. **CGS-345G**



TECHNICAL CHARACTERISTICS				
	CGS-345M	CGS-345P	CGS-345G	
WEIGHT PER METRE	6,08 Kg/m	11,66 Kg/m	22,33 Kg/m	
COMBINED CARRIAGES	CGS-350.5M	CGS-350.5P	CGS-350.5G	
	CGS-350.8M	CGS-350.8P	CGS-350.8G	
	CGS-250.5M	CGS-250.5P	CGS-250.5G	
	CGS-250.8M	CGS-250.8P	CGS-250.8G	
	CGS-150.5M	CGS-150.5P	CGS-150.5G	
MAINTENANCE FREQUENCY				
PRIVATE HOME	BUSINESS	WAREHOUSE	CONDOMINIUM <20 UNITS	CONDOMINIUM > 20 UNITS
2 YEAR*	2 YEAR *	2 YEAR *	1 YEAR *	1 YEAR *
Clean inside lower edges of monorail				
Check for any deformation on body. Check welds.				
*The scheme refers to a normal workplace (not marine or particularly aggressive environments).				
Before and after each treatment or procedure the installer must check the proper running of the trolley inside the monorail in order to guarantee the correct functioning of the system at every stage of the process.				

Art.		Code	A	B	C	H	S	L		
CGS-345M	mini	10207001	48	68	23	68	3,5	3000	1	18,25
CGS-345M	mini	10207002	48	68	23	68	3,5	6000	1	36,50
CGS-345P	little	10207005	66,5	100	33	89	5	3000	1	35,00
CGS-345P	little	10207007	66,5	100	33	89	5	6000	1	70,00
CGS-345G	big	10207020	98	140	38	140	6	3000	1	67,00
CGS-345G	big	10207022	98	140	38	140	6	6000	1	134,00
CGS-345M	mini	10207001 001	48	68	23	68	3,5	3000	1	18,25
CGS-345M	mini	10207002 001	48	68	23	68	3,5	6000	1	36,50
CGS-345P	little	10207005 001	66,5	100	33	89	5	3000	1	35,00
CGS-345P	little	10207007 001	66,5	100	33	89	5	6000	1	70,00
CGS-345G	big	10207020 001	98	140	38	140	6	3000	1	67,00
CGS-345G	big	10207022 001	98	140	38	140	6	6000	1	134,00

