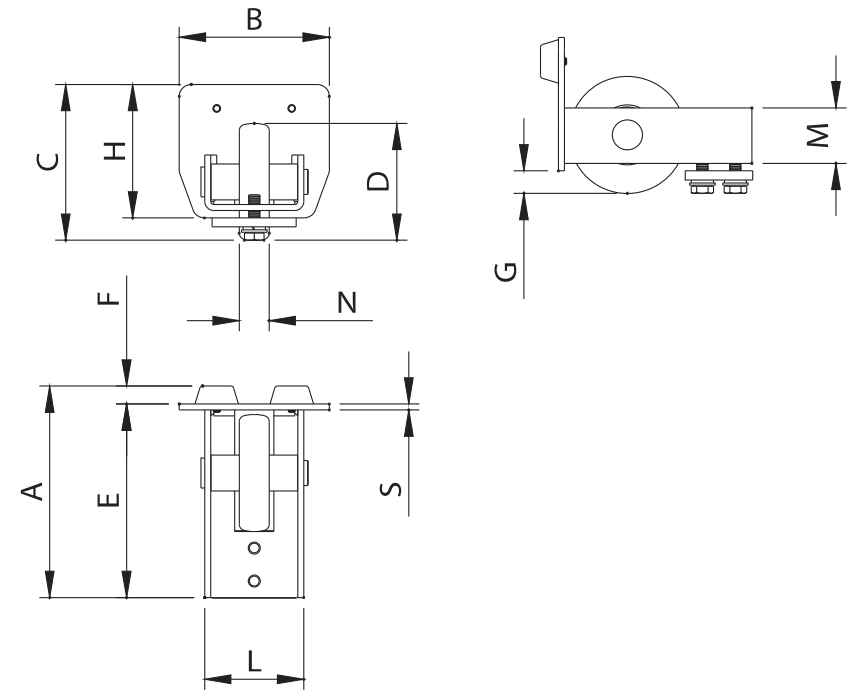
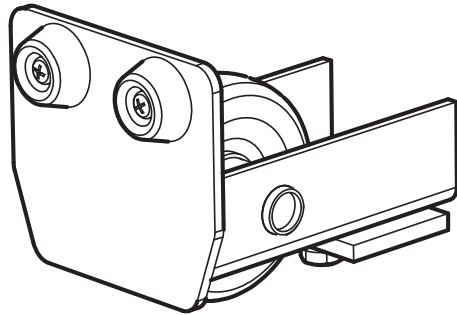

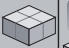




Art. **CGS-347M** Art. **CGS-347G**
 Art. **CGS-347P** Art. **CGI-347P**



TECHNICAL CHARACTERISTICS				
	CGS-347M	CGS-347P	CGS-347G	CGI-347P
WEIGHT OF PART	1,00 Kg	1,70 Kg	4,15 Kg	1,70 Kg
MATERIAL	Galvanised steel	Galvanised steel	Galvanised steel	Stainless steel
COMBINED MONORAIL	CGS-345M CGS-245M	CGS-345P CGS-245P	CGS-345G CGS-245G	CGI-345P
COMBINED STRIKER PLATE	CGS-346M	CGS-346P	CGS-346G	CGI-346P

Art.		Code	A	B	C	D	E	F	G	H	L	M	N	S		Kg
CGS-347M	mini	10705001 001	135	68	82,5	Ø 68	123	12	14,5	68	45	32	15	4	2	2,00
CGS-347P	little	10705005 001	141	100	104	Ø 78	129	12	15	89	66	37	20	4	2	3,40
CGS-347G	big	10705010 001	195	140	155	Ø 98	170	24,5	15	140	95	56	30	5	2	8,30

Art.		INOX	A	B	C	D	E	F	G	H	L	M	N	S		Kg
CGI-347P	little	10705305	141	100	104	Ø 78	129	12	15	89	66	37	20	4	2	3,40

