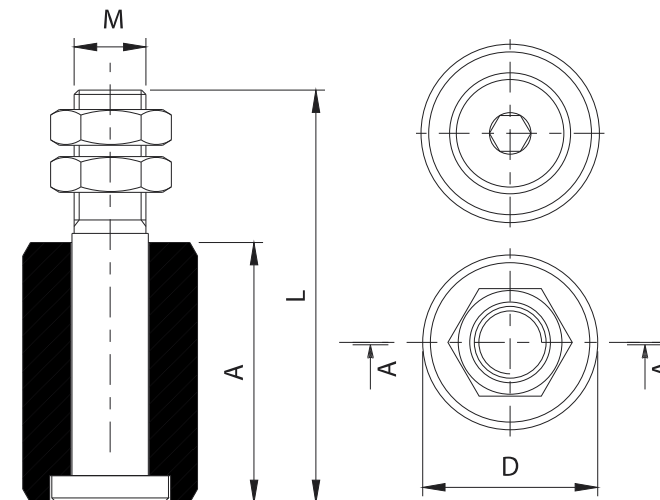


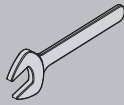
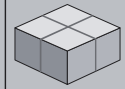

Art. 230

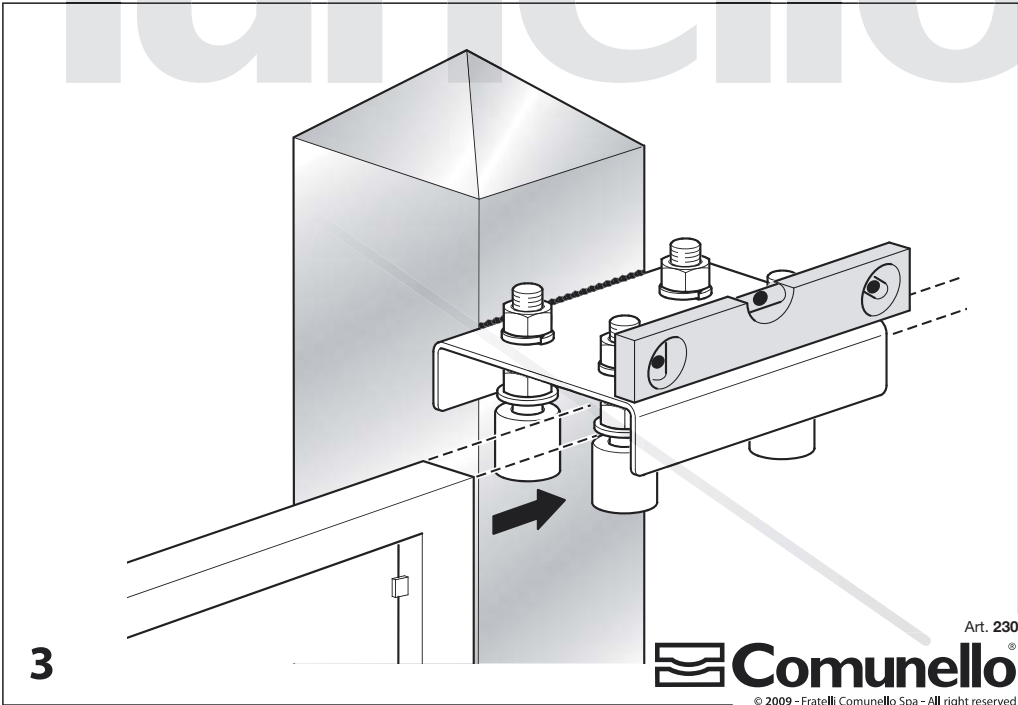
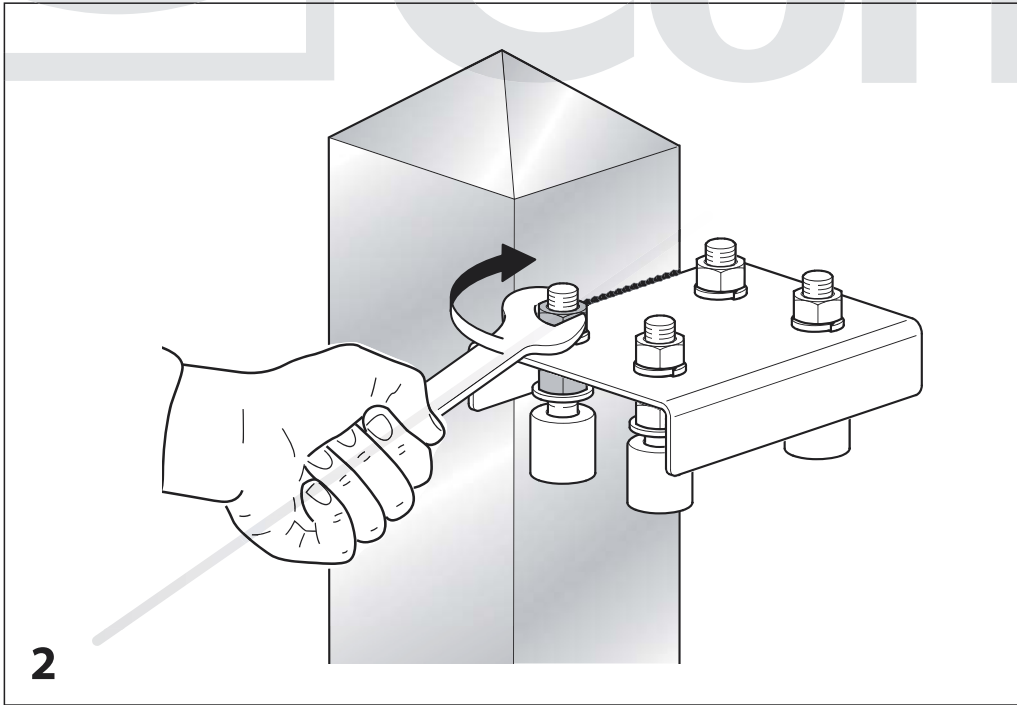
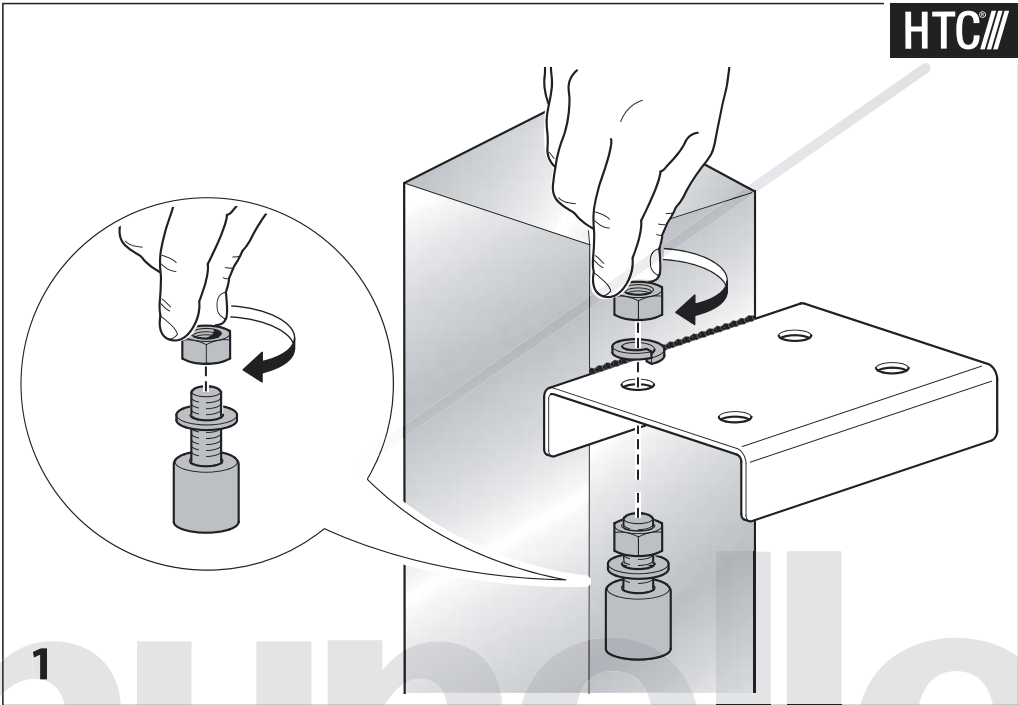
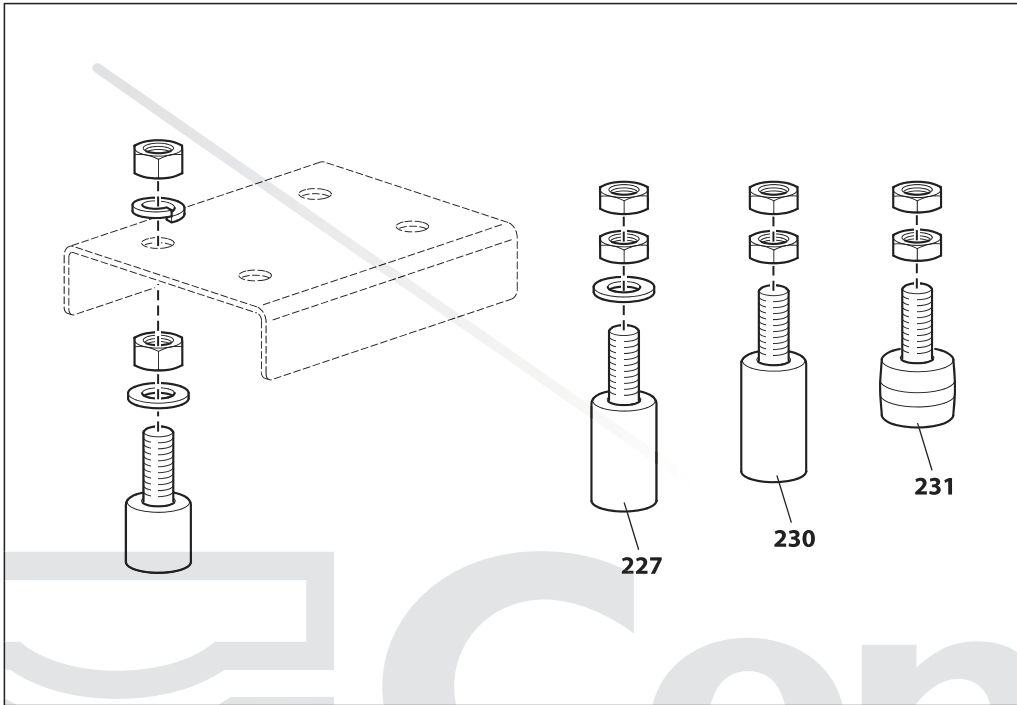


SEZ A-A



TECHNICAL CHARACTERISTICS					
	230-25	230-30	230-40	230-41	230-42
WEIGHT OF PART	0,13 Kg	0,19 Kg	0,27 Kg	0,22 Kg	0,28 Kg
MAINTENANCE FREQUENCY					
PRIVATE HOME	COMPANY	WAREHOUSE	CONDOMINIUM <20 UNITS	CONDOMINIUM > 20 UNITS	
2 YEARS*	2 YEARS*	2 YEARS*	1 YEAR*	1 YEAR*	
Check nylon roller.					
Check correct position of roller and fixing to guide plate.					
*The scheme refers to a normal workplace (not marine or particularly aggressive environments).					

Art.	Code	A	D	L	M			
230-25	11301005 001	34	Ø25	63	M14	22	20	2,50
230-30	11301010 001	40	Ø30	74	M16	24	20	3,70
230-40	11301015 001	58	Ø39	98	M16	24	20	5,30
230-41	11301017 001	43	Ø41	74	M16	24	20	4,40
230-42	11301020 001	58	Ø42	98	M16	24	20	5,50



2

3