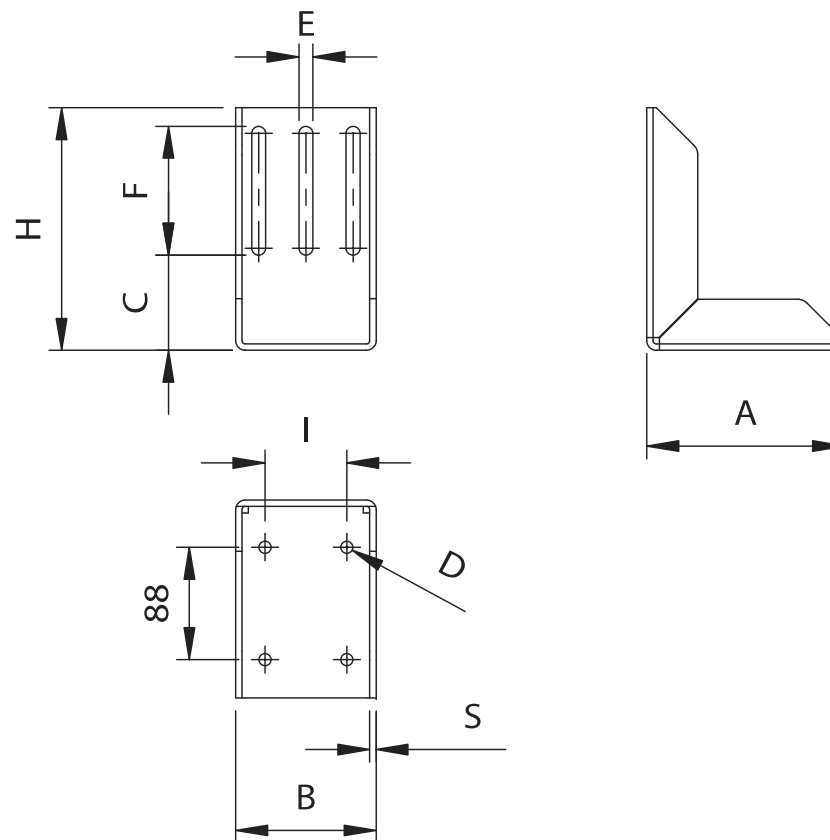







Art. **CG-15M**

Art. **CG-15P**



TECHNICAL CHARACTERISTICS			
	CG-15M	CG-15P	CG-15G
WEIGHT OF PART	2,60 Kg	2,90 Kg	3,30 Kg
ASSOCIATED STRIKERS	CGS-346M	CGS-346P CGI-346P	203 204 CGS-346G

Art.		Code	A	B	C	D	E	F	H	I	S		Kg
CG-15M	mini	10708001 001	155	110	65	Ø 9,5	9	78	165	64	5		2,60
CG-15P	little	10708005 001	155	110	80	Ø 9,5	11	90	190	64	5		2,90
CG-15G	big	10708010 001	155	120	82	Ø 13	13	117	220	70	5		3,30

