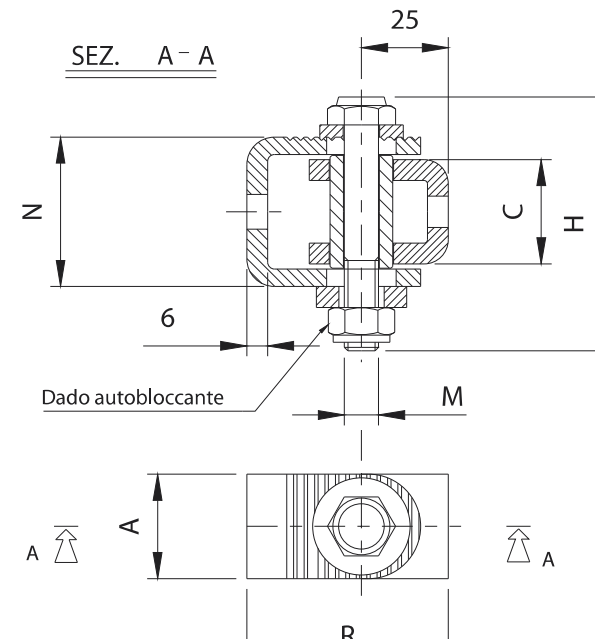
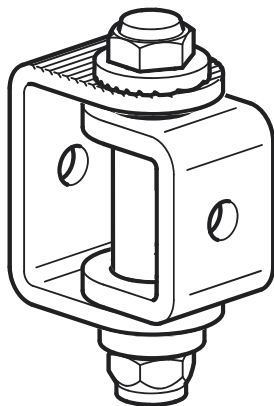


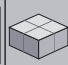

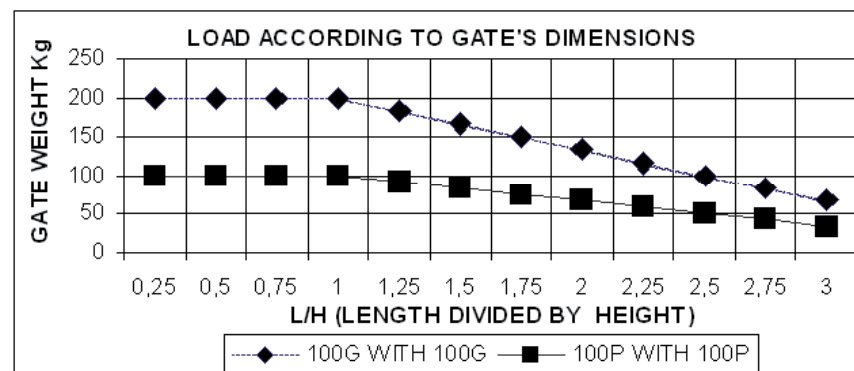


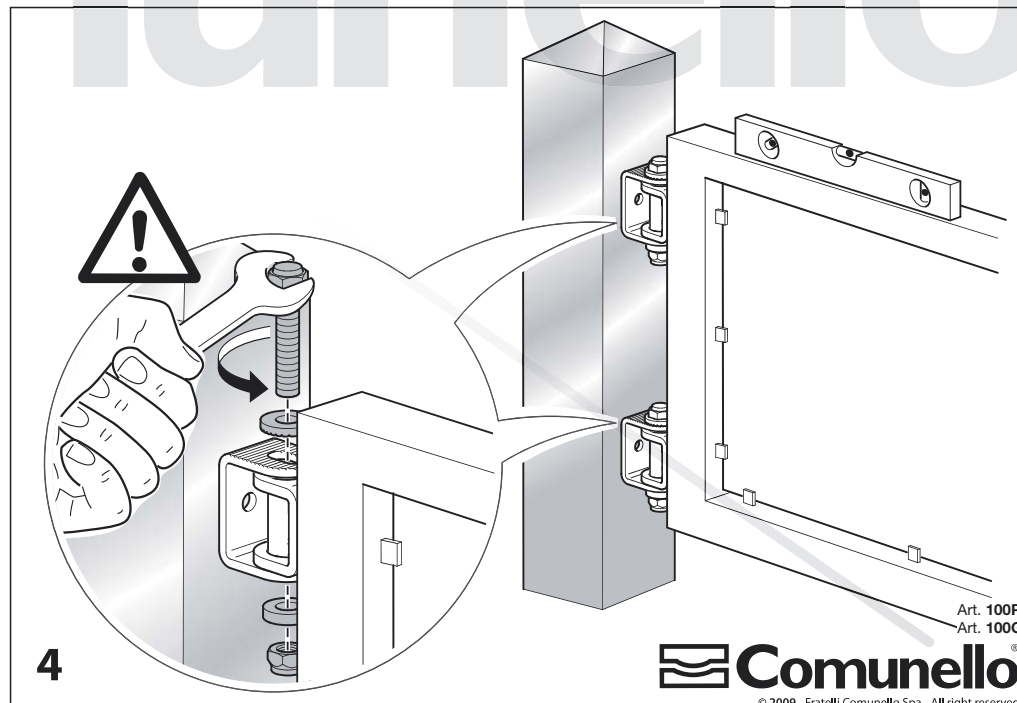
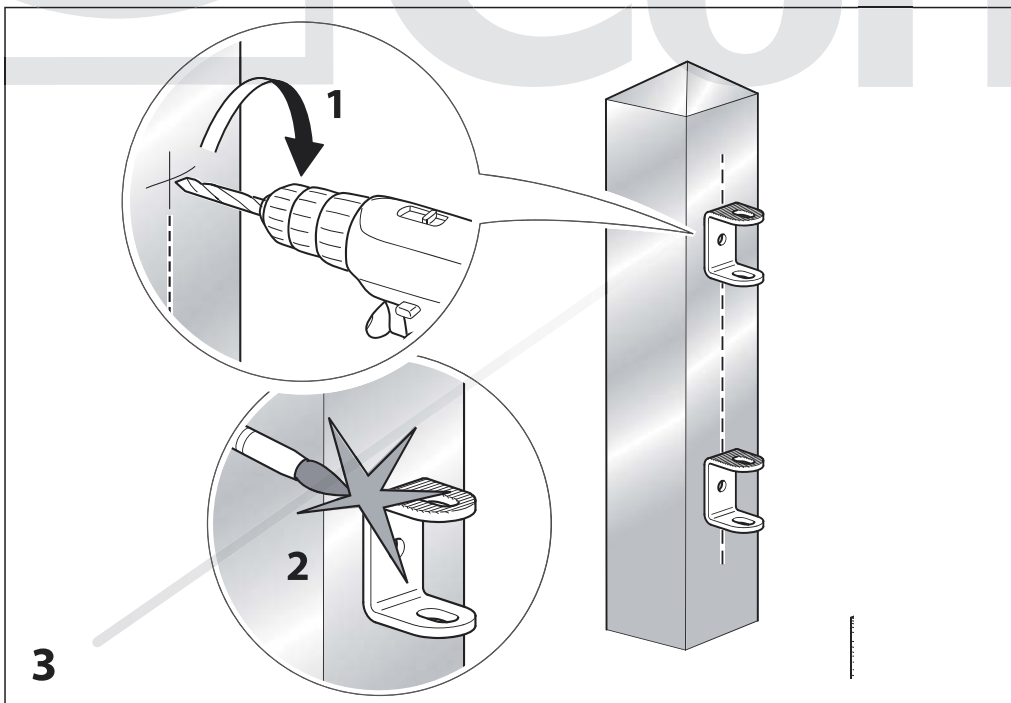
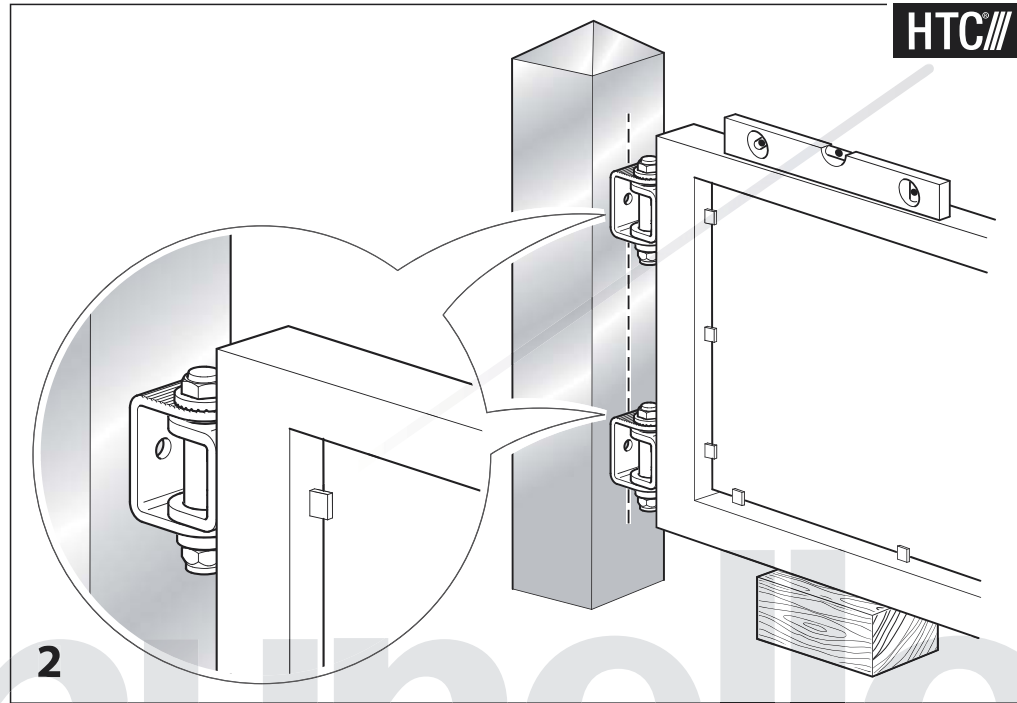
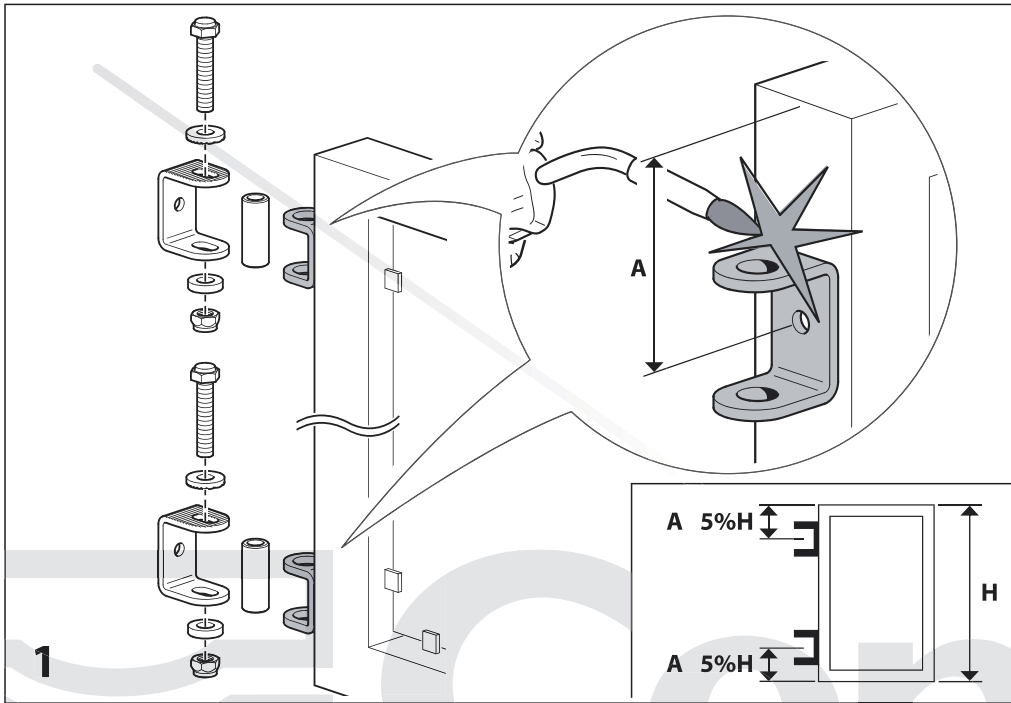
Art. 100 P
Art. 100 G



TECHNICAL CHARACTERISTICS				
		100P	100G	
WEIGHT OF PART		0,36 Kg	0,50 Kg	
LOAD-BEARING CAPACITY (P) L/H=1		100 Kg (pair of 100P)	200 Kg (pair of 100G)	
MAINTENANCE FREQUENCY				
PRIVATE HOME	BUSINESS	WAREHOUSE	CONDOMINIUM <20 UNITS	CONDOMINIUM > 20 UNITS
1 YEAR *	1 YEAR *	1 YEAR *	6 MONTHS *	6 MONTHS *
Check hinge wear.				
Check welds and horizontality of sash.				
*The scheme refers to a normal workplace (not marine or particularly aggressive environments).				

Art.		Code	A	C	H	M	N	R			
100P	little	10804505	30	30	73	M10	43	53-63	100	20	7,20
100G	big	10804510	35	49	95	M12	63	52-62	200	10	5,00





Art. 100P
Art. 100G