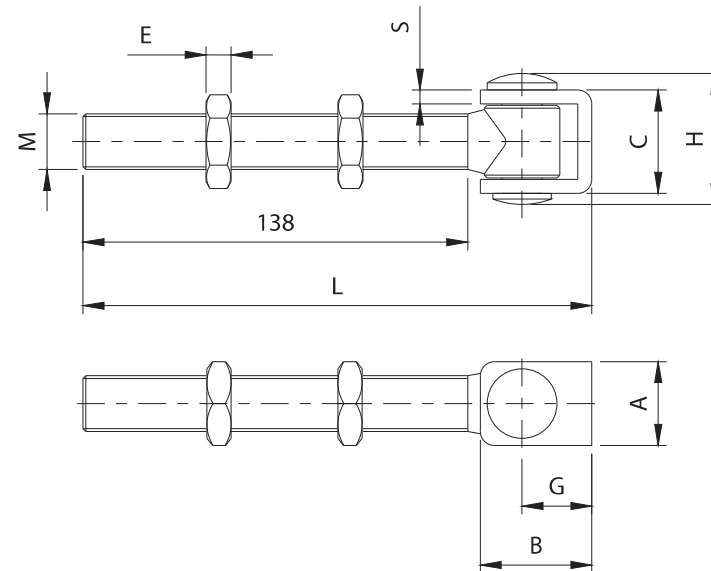


Art. 130



TECHNICAL CHARACTERISTICS				
	130-M20		130-M24	
WEIGHT OF PART	0,6 Kg		1 Kg	
LOAD-BEARING CAPACITY L/H=1	150 Kg (pair of 130-M20)		225 Kg (pair of 130-M24)	
MAINTENANCE FREQUENCY				
PRIVATE HOME	BUSINESS	WAREHOUSE	CONDOMINIUM <20 UNITS	CONDOMINIUM > 20 UNITS
1 YEAR *	1 YEAR *	6 MONTHS *	6 MONTHS *	3 MONTHS
Check hinge wear. Check for any deformation on the body.				
Check welds and horizontality of sash. Check tightening of nuts.				
*The scheme refers to a normal workplace (not marine or particularly aggressive environments).				

Art.	Code	A	B	C	E	G	H	L	M	S		 COPPIA		
130-M20	10807505 001	30	40	37	9	25	47	182	M20	5	30	150	20	12,00
130-M24	10807510 001	35	45	49	10	27	59	187	M24	6	36	225	10	10,00

