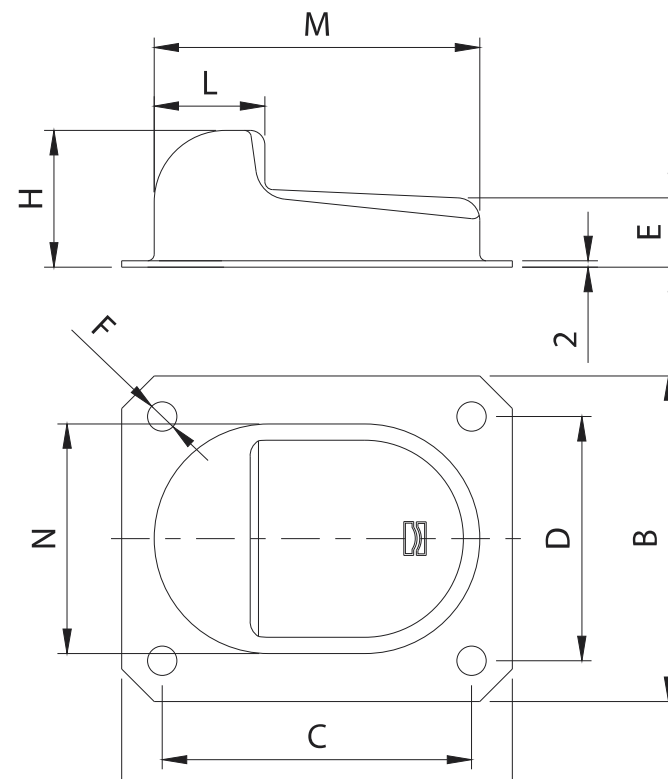





Art. 166



TECHNICAL CHARACTERISTICS				
	166P		166G	
WEIGHT OF PART	0,30 Kg		0,48 Kg	
MAINTENANCE FREQUENCY				
PRIVATE HOME	BUSINESS	WAREHOUSE	CONDOMINIUM <20 UNITS	CONDOMINIUM > 20 UNITS
1 YEAR *	1 YEAR *	1 YEAR *	6 MONTHS*	6 MONTHS*
Check for any deformation on the striker.				
Check fixing.				
*The scheme refers to a normal workplace (not marine or particularly aggressive environments).				

Art.		Code	A	B	C	D	E	F	H	L	M	N		
166P	little	10704601 001	120	100	95	75	21	Ø9	42	34	100	70	25	7,40
166G	big	10704602 001	160	130	125	100	23	Ø11	48	40	130	90	10	4,80

