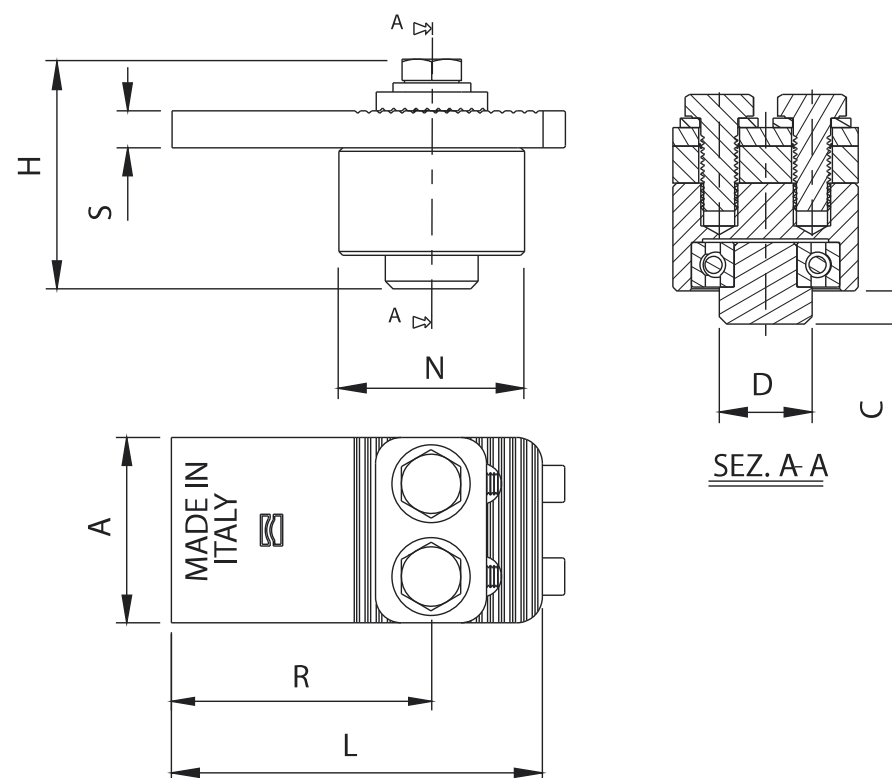
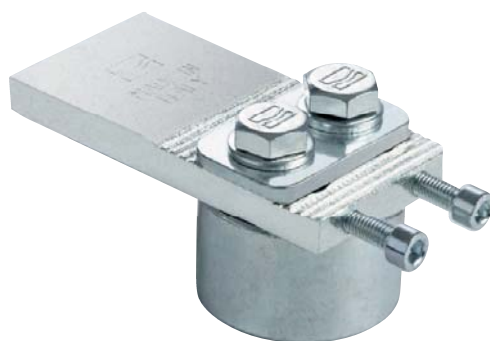


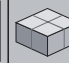



Art. 85 M

Art. 85 G



TECHNICAL CHARACTERISTICS				
	85-M		85-G	
WEIGHT OF PART	0,89Kg		1,61Kg	
LOAD-BEARING CAPACITY (P) L/H=1	450 Kg (with bottom hinge 87-M)		650 Kg (with bottom hinge 87-G)	
DURATION 110% (P)	220.000 Cycles (with bottom hinge 87-M)		230.000 Cycles (with bottom hinge 87-G)	
MAINTENANCE FREQUENCY				
PRIVATE HOME	BUSINESS	WAREHOUSE	CONDOMINIUM <20 UNITS	CONDOMINIUM > 20 UNITS
1 YEAR *	1 YEAR *	1 YEAR *	6 MONTHS *	6 MONTHS *
Check hinge wear. Check tightening of upper screws.				
Check welds and horizontality of sash.				
*The scheme refers to a normal workplace (not marine or particularly aggressive environments).				

Art.		Code	A	C	D	H	L	N	R	S			
85M	Ø50	10800407 001	50	9	Ø25	62	100	Ø50	70-85	10	450	4	3,50
85G	Ø70	10800410 001	60	15	Ø35	72	130	Ø70	90-105	10	650	2	3,20

