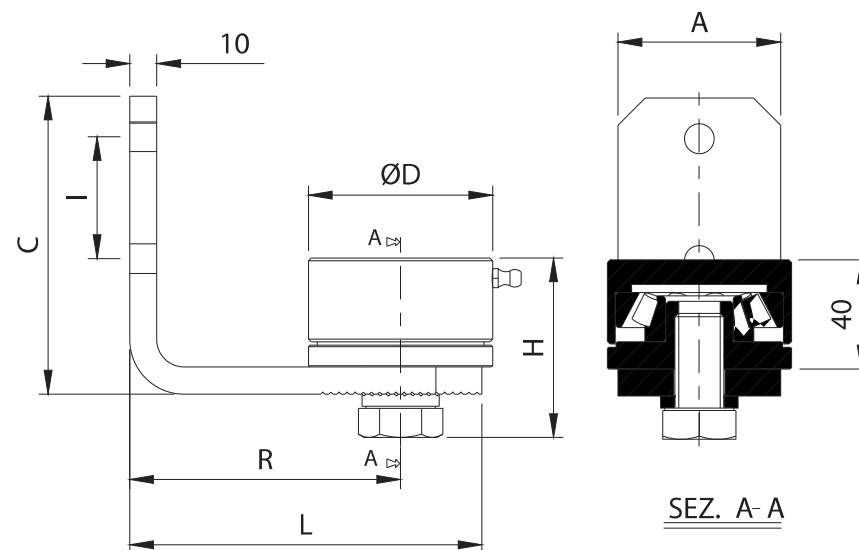
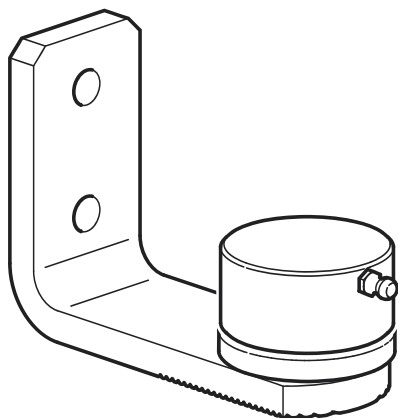


Art. 87 L-M

Art. 87 L-G



TECHNICAL CHARACTERISTICS				
	87L-M	87L-G		
WEIGHT OF PART	0,88Kg	1,98Kg		
LOAD-BEARING CAPACITY (P) L/H=1	350 Kg (with top hinge 85L-M)	500 Kg (with top hinge 85L-G)		
DURATION 110% (P)	220.000 Cycles (with top hinge 85L-M)	230.000 Cycles (with top hinge 85L-G)		
MAINTENANCE FREQUENCY				
PRIVATE HOME	BUSINESS	WAREHOUSE	CONDOMINIUM <20 UNITS	CONDOMINIUM > 20 UNITS
1 YEAR *	1 YEAR *	1 YEAR *	6 MONTHS *	6 MONTHS *
Check hinge wear. Grease (recommended grease Agip GreasePV2 or equivalent).				
Check fixing of plugs. Check welds and horizontality of sash.				
*The scheme refers to a normal workplace (not marine or particularly aggressive environments).				

Art.		Code	A	C	D	H	I	L	R			Kg
87L-M	Ø50	10801307 001	45	90	Ø50	52	40	100	95-105	350	4	3,50
87L-G	Ø70	10801310 001	60	110	Ø70	66	55	130	95-105	500	2	4,00

