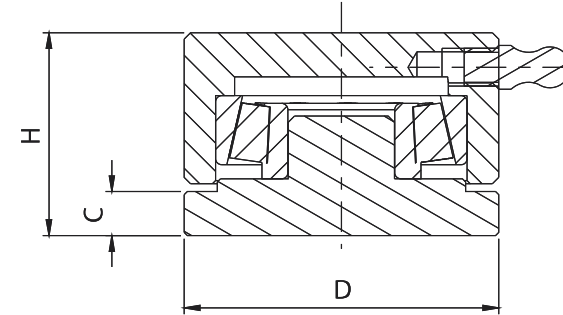
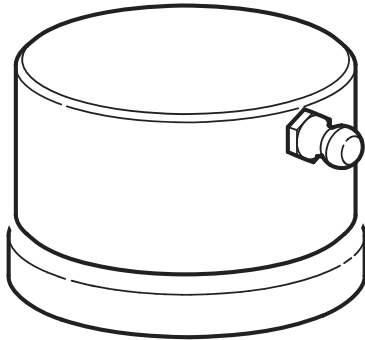


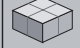



# Art. 87 M

# Art. 87 G



TECHNICAL CHARACTERISTICS				
	87M	87G		
WEIGHT OF PART	0,44Kg	1,00Kg		
LOAD-BEARING CAPACITY (P) L/H=1	450 Kg (with top hinge 85M)	650 Kg (with top hinge 85G)		
DURATION 110% (P)	220.000 Cycles (with top hinge 85M)	230.000 Cycles (with top hinge 85G)		
MAINTENANCE FREQUENCY				
PRIVATE HOME	BUSINESS	WAREHOUSE	CONDOMINIUM <20 UNITS	CONDOMINIUM > 20 UNITS
1 YEAR *	1 YEAR *	1 YEAR *	6 MONTHS *	6 MONTHS *
Check hinge wear. Grease (recommended grease Agip GreasePV2 or equivalent).				
Make sure the hinge acts as a single body with the base. Check welds and horizontality of sash.				
*The scheme refers to a normal workplace (not marine or particularly aggressive environments).				

Art.		Code	C	D	H			
87M	medio Ø50	10801007 001	8	Ø50	32	450	4	1,80
87G	grande Ø70	10801010 001	8	Ø70	40	650	2	2,00

